

MP-121500-LT

Features:

MEDALPOWER series lithium ion battery is a powerful LiFePO₄ battery product, has the highest capacity in a standard casing available on the market. The highly sophisticated and integrated BMS with very low self consumption, brings safety, functionality and ease of use together in a lightweight and robust casing. The batteries has been especially designed to provide energy for RV (Recreational Vehicles), Marine, Energy storage, etc. Bluetooth and LED indicators, LCD screen, self-heated functions could be optional.



Benefits of Lithium

- High capacity, low weight, Increased energy in given space
- Fast charging
- High operational reliability
- Safest lithium technology
- Excellent long life times
- Built-in intelligent BMS to protect the battery pack at any time and prolong its service life
- Maintenance free

Technical Specifications

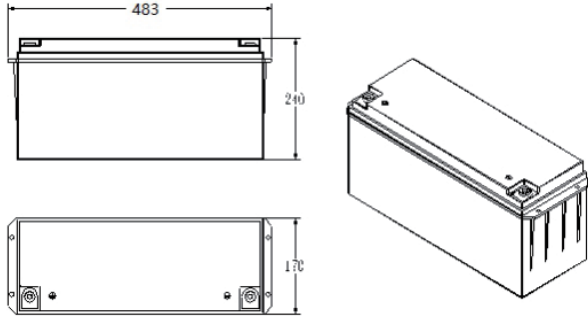
Model	MP-121500-LT	
Nominal Voltage	12.8V	
Typical capacity	150Ah (25°C, 0.2C)	
Typical energy	1920Wh	
Cells type/chemistry	Prismatic-LiFePO ₄	
Gravimetric Energy density	106.7Wh/Kg	
Dimensions	Length	483mm
	Width	170mm
	Height	240mm
Reference Weight	18Kg	
Case Material	ABS	
Cycle life	>2000 cycles (100% DoD)	
Electric Characristics		
Charge method	CC/CV	
Charge voltage Range	14.3~14.6V	
Max.continuous Discharge Current	100A	
Max.continuous Charge Current	100A	
Discharge Pulse Current (10 sec)	200A	
End of Discharge Voltage	10V	
Operation Environment		
Charge Temperature	0°C~55°C	
Discharge Temperature	-20°C~60°C	
Storage Temperature	-20°C~60°C	
Protection Class	IP56	

LEAVE POWER FOR MEDAL POWER

LEAVE POWER FOR MEDAL POWER

BMS specifications

ITEM	CONTENT	CRITERION
Voltage	Charging voltage	3.65V/cell
	Balance voltage	3.45V/cell
Current	Max continues charge current	100A
	Max continues discharge current	100A
Over charge Protection	Over charge detection voltage	3.75±0.05V
	Over charge detection delay time	1~3S
	Over charge release voltage	3.6±0.05V
Over discharge Protection	Over discharge detection voltage	2.5±0.05V
	Over discharge detection delay time	1~3S
	Over discharge release voltage	2.70±0.10V
Over current protection	Over discharge current protection	325A
	Detection delay time1	50~150mS
	Over charge current detection current	130A
	Detection delay time	300~800mS
Short Circuit Protection	Short Circuit Protection Current	1300A, External short circuit
	Detection delay time	400uS
	Release condition	Cut load and charging
Battery temperature	Over-temperature protection	65±5°C
	Release temperature	50±5°C



Performance curve

